

PRODUCT SHEET

Business card holders

BROCHURE & LEAFLET HOLDERS > BUSINESS CARD HOLDERS



Business card holders

Business card holders made from clear PS. Available in single and multiple formats for counter use.

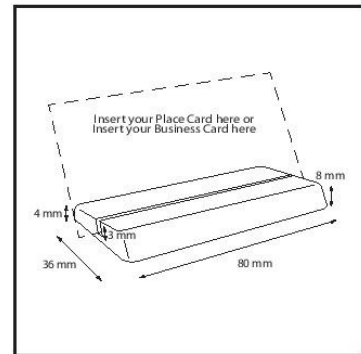
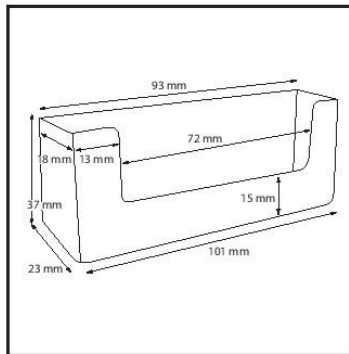
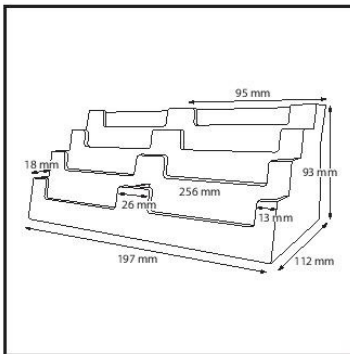
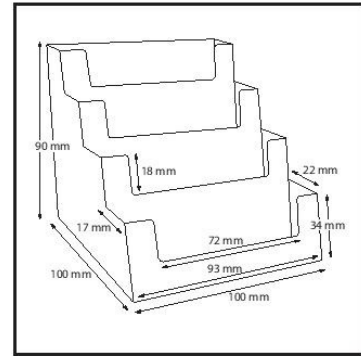
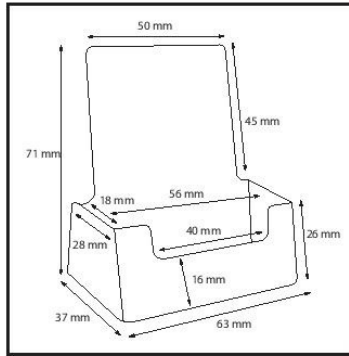
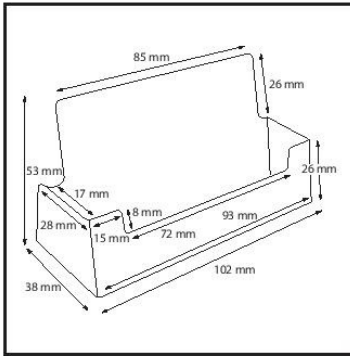
Visitenkartenhalter

Spritzguss-Visitenkartenhalter aus glasklarem Polystyrol. Unterschiedliche Ausführungen als Tischaufsteller oder zur Wandmontage.

PRODUCT SHEET

Business card holders

BROCHURE & LEAFLET HOLDERS > BUSINESS CARD HOLDERS



PRODUCT SHEET

Business card holders

BROCHURE & LEAFLET HOLDERS > BUSINESS CARD HOLDERS

ARTICLE CODE	EAN / GTIN	CAPACITY	SIZE (A x B x C)	NET WEIGHT	PACKING QUANTITY
ARTIKELCODE	EAN / GTIN	KAPAZITÄT	GRÖÖE (A x B x C)	NETTO GEWICHT	VERPACKUNGS- EINHEIT
BC93	8595578312775	1 x 93 x 50 mm	102 x 53 x 38 mm	0,03 kg	250
VBC56	8595578312782	1 x 50 x 93 mm	63 x 71 x 37 mm	0,02 kg	280
4BC93	8595578312799	4 x 93 x 50 mm	100 x 90 x 100 mm	0,11 kg	72
8BC93	8595578312935	8 x 93 x 50 mm	197 x 93 x 112 mm	0,20 kg	36
WBC93	8595578312942	1 x 93 x 50 mm	101 x 37 x 23 mm	0,03 kg	250
PC260	8595578312959	1 x 93 x 50 mm	80 x 8 x 36 mm	0,02 kg	140

ARTICLE CODE	PACKING SIZE	PACKING WEIGHT	PACKING / PALLET	WEIGHT OF PALLET	VOLUMETRIC WEIGHT	BELT SIZE	SHIPPING
ARTIKELCODE	VERPACKUNGS- GRÖÖBE	VERSAND- GEWICHT	VPE / PALETTE	PALETTEN- GEWICHT	VOLUMEN- GEWICHT	GURTMAB	VERSANDART
BC93	280 x 525 x 200 mm	8,30 kg	56	482 kg	5,88 kg	1485 mm	UPS
VBC56	200 x 525 x 280 mm	6,10 kg	56	362 kg	6,83 kg	1555 mm	UPS
4BC93	435 x 370 x 365 mm	7,90 kg	24	210 kg	11,99 kg	1995 mm	UPS
8BC93	435 x 370 x 365 mm	7,40 kg	24	196 kg	11,99 kg	1995 mm	UPS
WBC93	280 x 525 x 200 mm	6,40 kg	56	358 kg	5,88 kg	1485 mm	UPS
PC260	195 x 240 x 125 mm	2,00 kg	270	560 kg	14,45 kg	1130 mm	UPS